

ART. 3190 KUBIK E

ART. 3170 XILEMA WASH

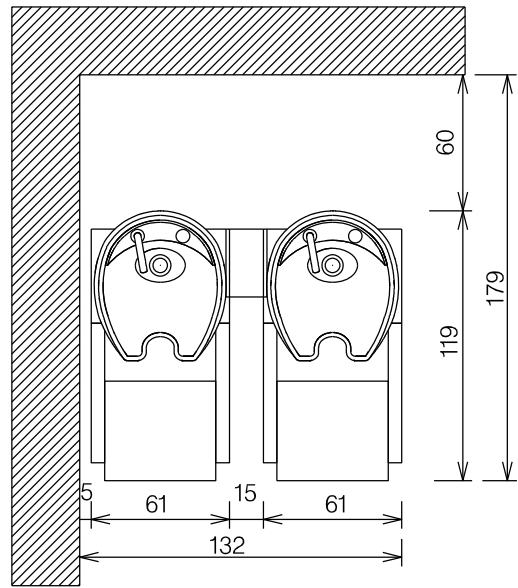
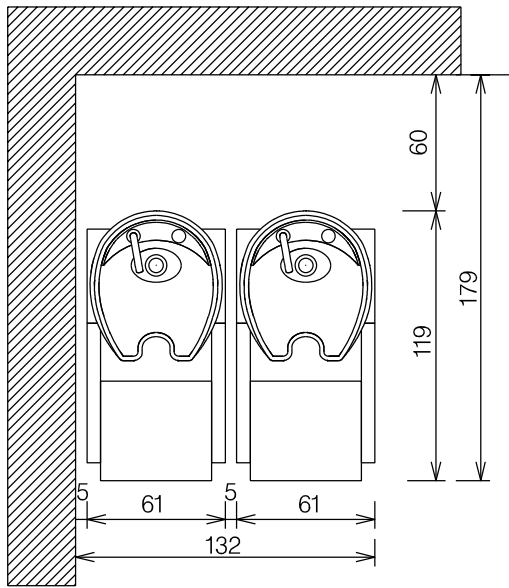
SCHEMA IDRAULICO

SCHEMA HYDRAULIQUE

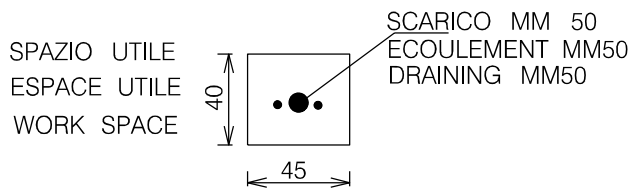
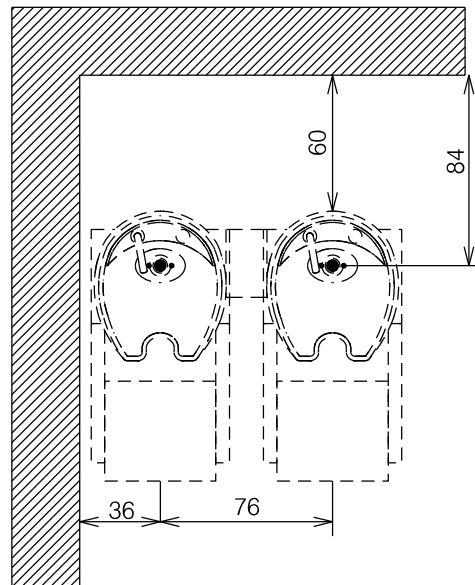
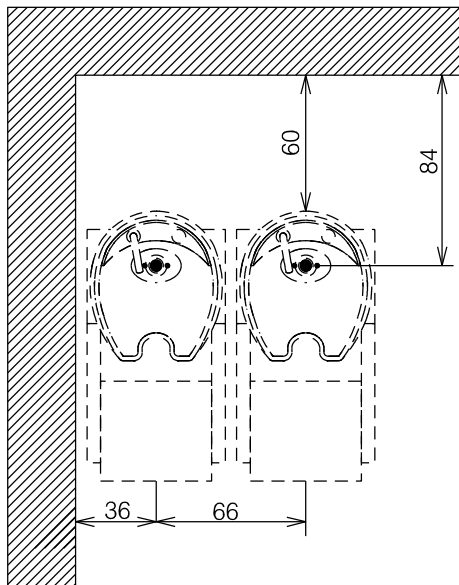
HYDRAULIC PLAN

HYDRAULISCHE PLAN

INGOMBRO TOTALE
ENCOMBREMENT TOTAL
TOTAL ENCUMBRANCE



POSIZIONE DEL CENTRO SCARICO
POSITION DU CENTRE DE L'ÉCOULEMENT
SITUATION OF THE DRAINING CENTER



SCARICO A MURO
ÉCOULEMENT AU MUR
DRAINING AT THE WALL

