

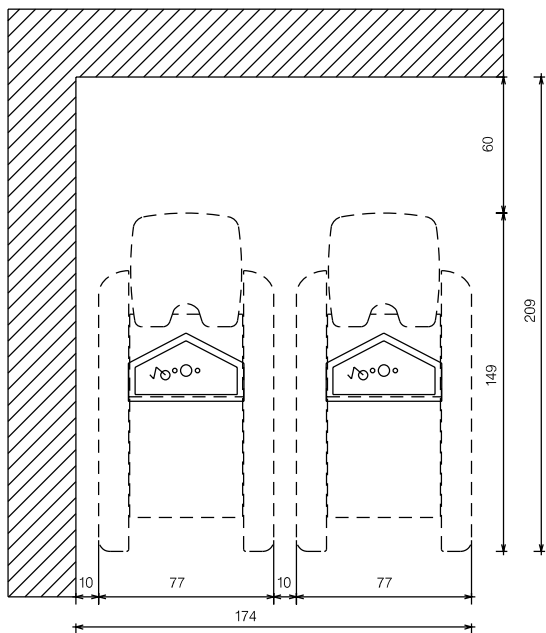
SUPERSONIK 9600 9601 9620 9630 9635 9640

SCHEMA IDRAULICO

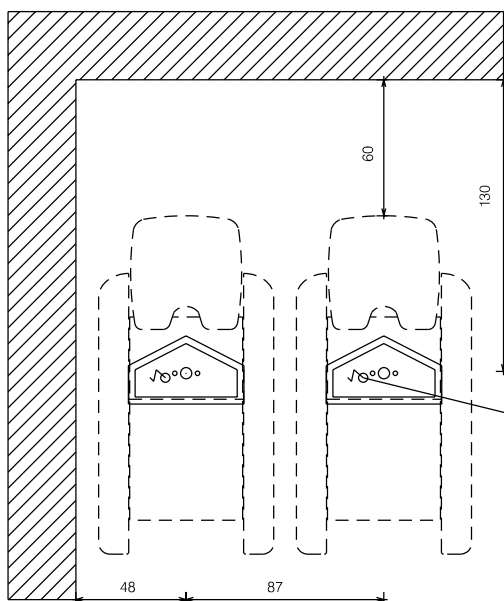
SCHEMA HYDRAULIQUE

HYDRAULIC PLAN

HYDRAULISCHE PLAN



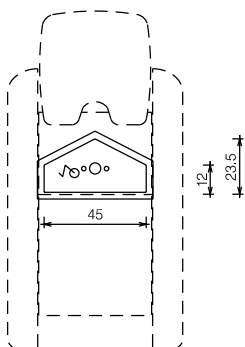
INGOMBRO TOTALE
ENCOMBREMENT TOTAL
TOTAL ENCUMBRANCE



POSIZIONE DEL CENTRO SCARICO
POSITION DU CENTRE DE L'ECOULEMENT
SITUATION OF THE DRAINING CENTER

uscita del cavo elettrico da pavimento
sortie du cable électrique du sol
exit of the electric cable from the floor

SPAZIO UTILE
ESPACE UTILE
WORK SPACE



SCARICO A MURO
ECOULEMENT AU MUR
DRAINING AT THE WALL

